

Table of contents


<u>ABOUT THE INSTRUCTION MANUAL.....</u>	<u>2</u>
<u>1. Connecting, starting up, switching on and off.....</u>	<u>3</u>
<u>2. Connecting and operating USB devices and SD memory cards.....</u>	<u>4</u>
<u>3. DAB: operating DAB radio (digital radio).....</u>	<u>4</u>
<u>4. FM: operating FM radio.....</u>	<u>5</u>
<u>5. ALARM/SNOOZE: setting alarms and snooze mode.....</u>	<u>5</u>
<u>TECHNICAL SPECIFICATION.....</u>	<u>7</u>


ABOUT THE INSTRUCTION MANUAL

Ferguson Sp. z o.o. has made every effort to provide the most current information about its products. Ferguson Sp. z o.o. does not grant any guarantee as to the contents of the present instruction manual and disclaims any implied guarantees concerning market value or suitability for specific purposes. The information contained herein is an instruction intended to enable the correct usage and maintenance of the device.

Ferguson Sp. z o.o. reserves itself the right to introduce amendments, changes or translations of the instruction manual without prior notification thereof. For this reason, we recommend you regularly visit our website in order to obtain the latest information.

MARKINGS AND SIGNS APPLIED TO THE RECEIVER

 **CAUTION**
RISK OF ELECTRIC SHOCK
DO NOT OPEN

 Risk of electric shock - do not open. This notice warns the user not to open the receiver housing. The housing may be opened solely by authorized service technicians.



CE logo.

The logo informs that the receiver conforms to the terms and conditions of Directive 2004/108/EC concerning observance by Member States of provisions regulating electromagnetic compatibility, and to the terms and conditions of Directives 2006/95/EC concerning observance by Member States of provisions regulating low voltage electricity and safety with relation to the handling and operation of electrical equipment.



When this crossed-out wheeled bin symbol is attached to a product it means that the product is covered by the European Directive 2002/96/EC. Please inform yourself about the local separate collection system for electrical and electronic products.

Please act according to your local rules and do not dispose of your old products with your normal household waste.

Correct disposal of your old product helps to prevent potential negative consequences for the environment and human health.

R&TTE

Hereby Ferguson Sp. z o.o., declares that the device is in compliance with the essential requirements and other relevant provisions of Directive 1999/5/EC. You can find the Declaration of Conformity on www.deklaracje.ferguson.pl

This product has been designed, tested and manufactured according the European R&TTE directive 1999/5/EC.



Double insulation logo.

This logo informs that the device is an electrically safe device, provided that it is used in accordance with the recommendations set forward in the chapter concerning safety.



Your product contains batteries covered by the European Directive 2006/66/EC, which cannot be disposed with normal household waste. Please inform yourself about the local rules on separate collection of batteries because correct disposal helps to prevent negative consequences for the environmental and human health.



Hot surface mark

CAUTION: HOT SURFACE. DO NOT TOUCH.
The top surface over the internal heat sink may become hot when operating this product continuously. Do not touch hot areas, especially around the "Hot surface mark" and the top panel.



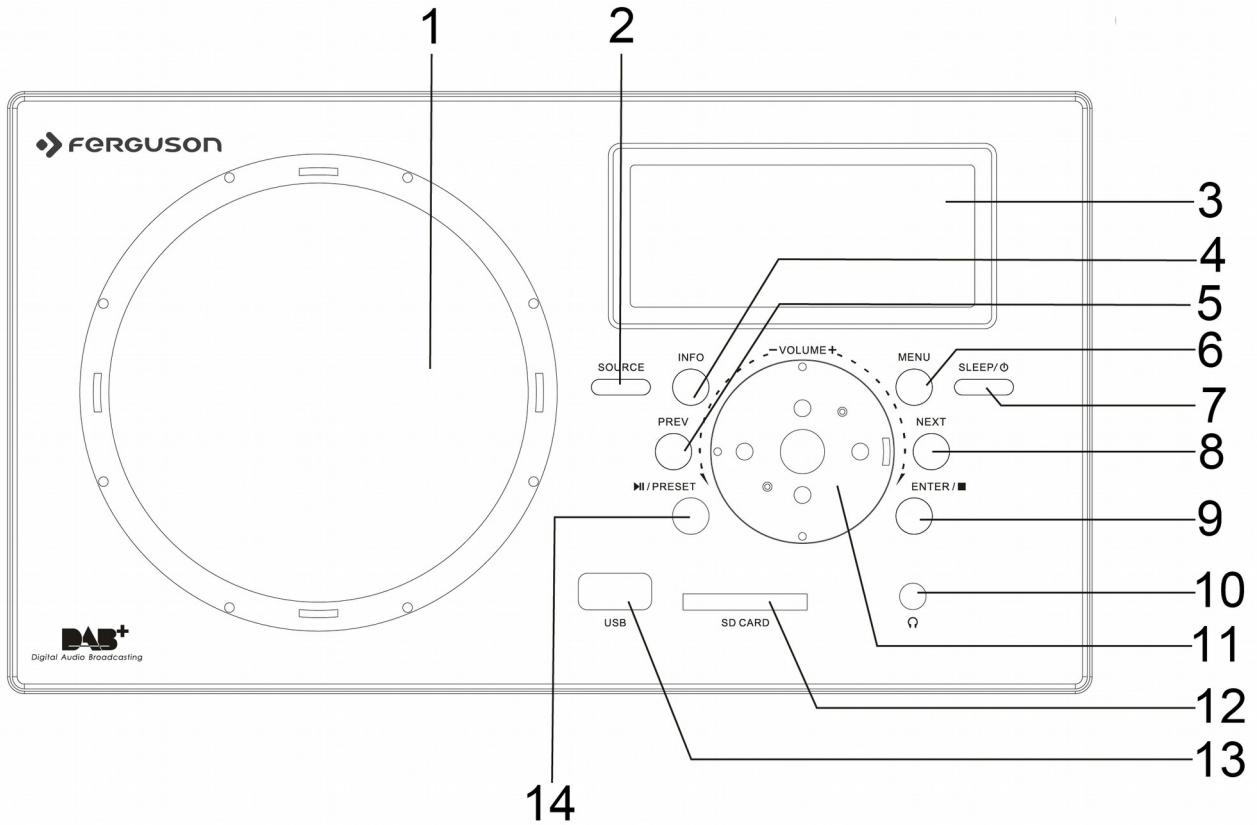
Your product is designed and manufactured with high quality materials and components, which can be recycled and reused.



When this logo is attached to a product, it means a financial contribution has been paid to the associated national recovery and recycling system.

QUICK START GUIDE

1. Connecting, starting up, switching on and off



1. SPEAKER
2. SOURCE
3. DISPLAY SCREEN
4. INFORMATION
5. PREVIOUS
6. MENU
7. SLEEP/STANDBY
8. NEXT
9. ENTER / ■ STOP
10. EARPHONE PORT
11. VOLUME
12. SD CARD READER
13. USB PORT
14. PRESET/PLAY/PAUSE

- Connect the mains plug DC 12V IN on the back side of the unit to a wall socket to power the device and fully extend the telescopic aerial FM on the back side of the unit for optimal radio reception.
- A welcome message from Ferguson followed by time and date will appear on the display. The time and date on the display are automatically updated when you turn on the DAB radio for the first time.
- Press and hold the SLEEP/STANDBY button to turn on and off the unit after use. When turned on, the unit automatically restores the last used mode of operation.
- Turn the VOLUME KNOB to adjust the volume level.

2. Connecting and operating USB devices and SD memory cards

- Plug-in the USB stick directly or use an USB-extension cable which is not longer than 25 cm.
- Connect a USB device to the USB PORT or/and insert an SD memory card into the SD CARD PORT.
- Press the SOURCE button repeatedly to select the USB or SD operating mode respectively. Your radio automatically detects the USB device or SD memory card.
- Press the PLAY/PAUSE MI button to stop and resume the playback
- Press the STOP ■ button to terminate the playback.
- Press the PREV or NEXT button to skip to the previous or next track.

3. DAB: operating DAB radio (digital radio)

- Press the SOURCE button repeatedly to select the DAB operating mode.
- Your radio automatically starts searching for available DAB stations. All radio stations found are stored as a list. Once the scan is over, the radio starts playing the first station from the list.
- Press the PREV or NEXT button to scroll through the list of DAB stations. Press the ENTER button to tune in to the DAB station selected.
- To redo the full scan, press the MENU button and the PREV or NEXT button to select the STATION SCAN menu item. Press the ENTER button and then the PREV or NEXT button to select the FULL SCAN menu item. Press the ENTER button to start the full scan.
- To store a DAB radio station in your DAB favourite list, tune in to the desired radio station and press the PRESET button.
- Press the PREV or NEXT button to select a memory number for the station. Afterwards, press and hold the ENTER button to confirm the settings. You can store up to 10 radio stations in your DAB favourite list.
- To switch on a preset radio station, press the PRESET button and then PREV or NEXT button to scroll through your DAB favourite list.
- Press the ENTER button to tune in to the preset station selected.

4. FM: operating FM radio

- Press the SOURCE button repeatedly to select the FM operating mode.
- Press and hold the PREV or NEXT button to find and play the previous or next available radio station in the FM frequency range.
- To store a FM radio station in your FM favourite list, tune in to the desired radio station and press the PRESET button.
- Press the PREV or NEXT button to select a memory number for the station. Afterwards, press and hold the ENTER button to confirm the settings. You can store up to 10 radio stations in your FM favourite list.
- To switch on a preset radio station, press the PRESET button and then PREV or NEXT button to scroll through your FM favourite list.
- Press the ENTER button to tune in to the preset station selected.

5. ALARM/SNOOZE: settings: clock, alarms and snooze mode

Clock:

- Go to STANDBY mode;
- Press the 'Menu' button;
- You are in 'Time Auto Update' menu now;
- To set time manually, set 'OFF' using master volume control;
- Press 'Enter' to accept;
- Go through all steps: hours, minutes, year, month and day, always press 'Enter' to accept and go to the next step;
- To turn 'Time Auto Update' set 'On' and press 'Enter'

Alarms and snooz:

- If necessary, press and hold the SLEEP/STANDBY button to switch the unit into the standby mode.
- Press the MENU button repeatedly to select the alarm setup interface. The ALARM 1 STATUS menu item and the ON option will flash. If necessary, rotate the VOLUME BUTTON to select ON option. Press the ENTER button to activate the 1st alarm.
- Rotate the VOLUME BUTTON to set the hour digits of the alarm time and press the ENTER button to confirm. In the same way, you can set the minute digits and the frequency of the alarm time as well as the alarm mode.
- Once the 1st alarm settings are done, the alarm logo appears in the display.
- To set the 2nd alarm, press the MENU button repeatedly until the ALARM 2 STATUS menu item appears on the display, and repeat the steps 2 and 3.
- Press the ENTER button once to turn off the alarm sound.
- If you have selected the BUZZER option as the alarm sound, you can activate the SNOOZE mode: rotate the VOLUME KNOB in any direction when the alarm is ringing. The signal

will be off and the alarm will be repeated after 3 min.

6. SLEEP TIME: Automatic switch off

- You can use the SLEEP TIME function to set an amount of time after which
- the unit will automatically switch into the standby mode (switch off):
- While the radio is on, press the SLEEP/STANDBY button repeatedly to select one of the following time periods for the sleep time function: 10, 15, 30, 45, 60, 90 or 120 min.
- After having selected the desired sleep time option, do not touch any button for a few seconds. The settings will be saved and the unit will return to the normal playing status.
- When the set time has elapsed, the unit will automatically switch to the standby mode.
- Press the SLEEP/STANDBY button to switch on the unit again.

Important note:

This device is equipped with an energy saving mode: if no signal is given during 15 minutes the device will switch automatically into standby mode in order to save energy (ErP 2 standard). Please note that low volume setting in the audio source may be recognized as „no audio signal“: this will affect the capability of signal detection from the device and can also originate an automatic switch into standby mode. If this happens please reactivate the audio signal transmission or increase the volume setting on the audio source player (MP3 player, etc.), in order to resume playback. Please contact the local service center if the problem remains.

TECHNICAL SPECIFICATION

Input line: 12V DC

Power consumption in standby mode: <1 watt

Max Power Consumption: 20 Watts

DAB + frequencies range: 174.928 MHz 239.200 MHz ~

FM Frequency Range: 87.5MHz ~ 108 MHz

Dimension (cm): 23,5 x 14 x 14,5 cm

Net Weight: 1,7 Kg

DOWNLOADABLE SOFTWARE

Ferguson has taken every effort to provide users with software updates in order to ensure that the parameters of the sadevice are up to date. Ferguson reserves itself the right to amend, change or modify the software used in the device as it shall choose and without prior notification. The latest version of the software is available on the website <http://www.ferguson-digital.eu>