

EMIO

visit e-mio.eu

electric vehicles TORO



silver

v-max: **75 km/h**

engine: **4000 W**

range: **up to 65 km**

battery: **li-ion**

Emio Toro is a real bull! The powerful 4000 W motor accelerates this scooter to 75 km/h, which allows you to ride even on city transit routes. The inhabitants of the mountain area will also feel the power - Emio Toro can handle 25° inclines without any major problems. It is an ideal means of transport for commuting to and from work. With a range of 65 km, you can commute to the city center even from distant suburbs. The removable, capacious (40 Ah) battery allows you to easily recharge your vehicle from a standard outlet and the cost of 100 km driven is about 0,5 euro! Economics is the Emio Toro's second name... A handy, lockable glove box, a spacious container under the seat, a useful shopping bag hanger, remote control for activating and arming the alarm, easily removable battery and the option of installing accessories create the perfect urban vehicle for everyone.

Take the city!

Do not pay for parking (in most cities there are no charges for parking with a motorcycle/scooter in the city center), do not stand in traffic jams, pay less for traveled routes, minimize maintenance costs (you do not have to „pour“ anything here)!

Be ECO!

on every Emio motorcycle
telephone assistant

GPS vehicle monitoring
GSM communication
warning of possible theft
the ignition can be shut off
warning about a possible
road collision
reminders about
important dates



e-mio electric vehicles

visit e-mio.eu

functional and highly aesthetic **design**
a combination of classic lines with the lightness of modern details



alarm and immobilizer
security as standard,
remote control included



powerful **disc brakes**
safe, short braking distance

powerful **4000 W engine**
placed in a wheel, maintenance-free



front and rear **LED lights**
modern in form, economical
lighting of the entire scooter

glove box with **USB connection**
and clear **cockpit**
charge your phone while traveling,
see all necessary information

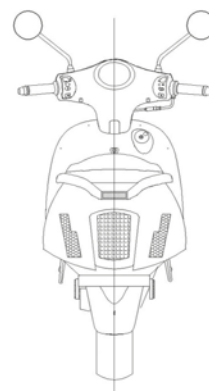
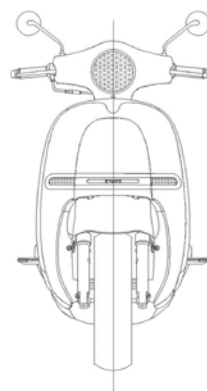
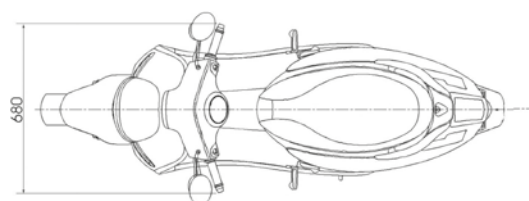
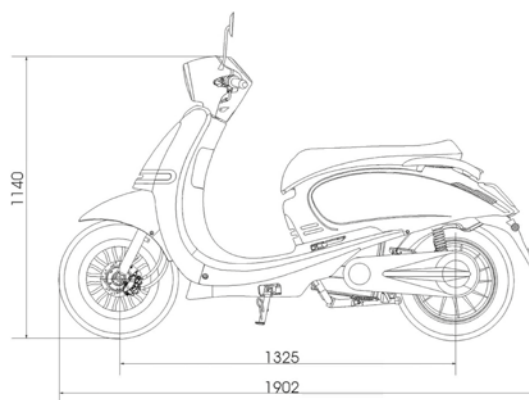


Technical Specifications

- **Vehicle category:** L3e-A1
- **Required driving permissions:** depends on the specific country
- **Battery:** lithium-ion, removable
- **Battery capacity:** 72 V / 40 Ah
- **Battery weight:** 18,9 kg
- **Input voltage:** 230/240 V
- **Charging time:** 7-8 hours
- **Number of charging cycles:** 800
- **Charger:** external with cooling, 72 V / 8A
- **Motor power:** 4000 W
- **Motor type:** brushless
- **Maximum torque:** 54 Nm (at 4000 W power / 700 rpm)
- **Power transmission:** directly in the wheel
- **Maximum speed:** 75 km/h
- **Maximum range:** 65* km
- **Hill climbing ability:** 25°
- **Weight:** 84 kg (with battery)
- **Maximum load:** 150 kg
- **Length:** 1902 mm
- **Width:** 680 mm
- **Height:** 1140 mm
- **Wheelbase:** 1325 mm
- **Front tire:** tubeless, 120/70-12 56J
- **Rear tire:** tubeless, 120/70-12 56J
- **Front brake:** disc, Ø220 mm
- **Rear brake:** disc, Ø220 mm
- **Remote controller:** available
- **Alarm:** built-in anti-theft alarm with rear wheel lock
- **Color:** silver

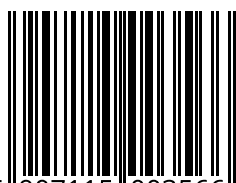
* actual range depends on many factors, including temperature, mass of traveler, degree of inclination, driving dynamics etc.

ATTENTION: Due to continuous product improvement, the specifications and design of the device are subject to change without notice.



color: silver

EAN: 5907115003566



5 907115 003566 >

**1 YEAR
OF SAFETY
FREE!**

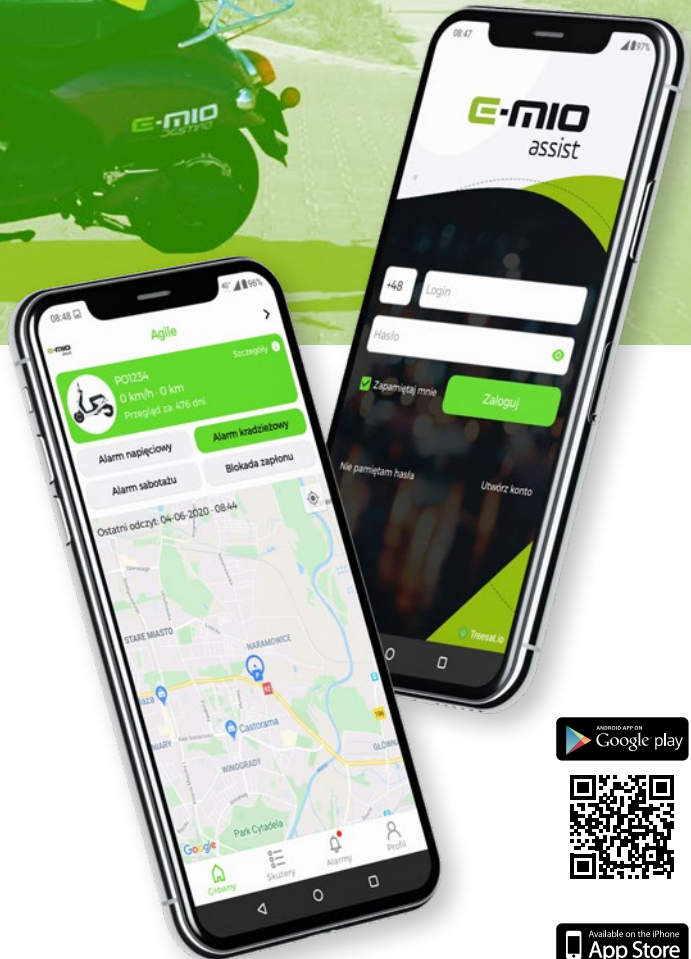
no data transfer
fees throughout the
European Union!



E-MIO assist

Emio Assist is an alarm kit consisting of a small electronic device and a free phone application. The sensor is installed in your vehicle and connected to the power supply. It has a permanent remote connection to the server and application via the mobile network. Thanks to it, the user receives a number of functions, e.g. a theft alarm with a map or an accident detection system informing about a possible collision. The map and navigation will also help you find your vehicle left in a parking lot or in a foreign city.

Emio Assist is an easy-to-use, tracking terminal monitoring GPS position in real time with GNSS and GSM connectivity, which is able to collect device coordinates and other useful data for sending them via the GSM network to the server.



Functions

- current vehicle position
- current vehicle speed
- access to the 4-month history of the vehicle route
- battery voltage monitoring
- information on attempted theft
- battery charge information
- information on the device's battery status
- ignition cut off

* the product is still expandable, the list of supported functions may change