



FERGUSON

PHT-1008



**TV
10''**

User manual

English



WARNING !!!



Ferguson TV receivers support recording on external hard disk drives (HDDs) and flash memories (pendrives). In all instances, the correct operation of the recording function depends on the type of connected memory! You must read the following limitations.

REMEMBER:

1. In order to use an external USB memory, the memory must support the USB 2.0 standard. To ensure stable recording and playback, **you must use a memory with a recording speed of 9.0 MB/s or greater**. Slower hard disk drives and flash memories may not function properly, have problems with recording (image jitter), or not function at all!!!
2. Only disks with one basic NTFS or FAT32 partition (we recommend using the NTFS format) will function properly. If you do not have such a format, prepare the disk on your computer before connecting it to the receiver.
3. Highly fragmented or used memories may also not operate smoothly or correctly.
4. External hard disk drives should be autonomously powered, since the built-in USB port is unable to provide sufficient power.
5. Only one of the two USB ports can be used at the same time!

CAUTION

1. Under no circumstances should you disconnect the USB device from the receiver during recording or playback. Disconnecting during operation may cause damage to the receiver and/or flash memory, and to the recorded data.
2. Do not touch the working device (and in particular the USB connector) with wet hands. Risk of electric shock and permanent damage to the receiver!

SAFETY MEASURES

We request that you read the instruction manual and recommendations set forward therein. Also remember to correctly position the TV antenna!



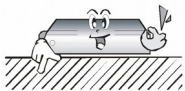
In order to avoid an electric shock, never open the housing. Damage to the warranty seal shall void the warranty.



Disconnect the device from the mains during thunderstorms or when it is not to be used for an extended period of time. Please remember that the warranty does not cover damage to the equipment caused by a lightning strike.



Do not expose the device to direct sunlight. Place it away from sources of heat and humidity. Do not cover ventilation ducts, in order to ensure the correct circulation of air.



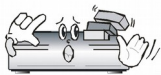
Place the device horizontally on a flat, even and stable surface.



If you move the device from a room that is warm to one that is cold (or vice versa), wait at min. 1 hour before connecting it to the mains. Otherwise, problems may arise.



The device should be placed away from vases, bottles, aquariums and other water containers in order to avoid damage. Do not touch the mains plug with your bare hands.



Do not place any objects on the housing of the device. This may cause overheating and reception problems.

Before commencing maintenance or installation work, disconnect the receiver from the mains. Do not clean the receiver with alcohol or liquids containing ammonia. If necessary, clean it with a soft, lint-free cloth wetted with a gentle solution of water and soap.

- Do not connect any cables when the mains plug is in the socket.
- Check the condition of your cables. Damaged cables may cause a fire.
- Please disconnect the receiver from the mains before connecting any cables.

DOWNLOADABLE SOFTWARE

Ferguson has taken every effort to provide users with software updates in order to ensure that the parameters of the TV television receiver are up to date. Ferguson reserves itself the right to amend, change or modify the software used in the TV television receiver as it shall choose and without prior notification. The latest version of the software is available on the website <http://www.ferguson-digital.eu>

ABOUT THE INSTRUCTION MANUAL

Ferguson Sp. z o.o. has made every effort to provide the most current information about its products. Ferguson Sp. z o.o. does not grant any guarantee as to the contents of the present instruction manual and disclaims any implied guarantees concerning market value or suitability for specific purposes. The information contained herein is an instruction intended to enable the correct usage and maintenance of the receiver.

Ferguson Sp. z o.o. reserves itself the right to introduce amendments, changes or translations of the instruction manual without prior notification thereof. For this reason, we recommend you regularly visit our website in order to obtain the latest information.

MARKINGS AND SIGNS APPLIED TO THE RECEIVER



Digital signal transmission logo. This logo informs that the receiver conforms to the Digital Video Broadcasting standards.



Risk of electric shock – do not open. This notice warns the user not to open the receiver housing. The housing may be opened solely by authorized service technicians.



When this crossed-out wheeled bin symbol is attached to a product it means that the product is covered by the European Directive 2002/96/EC. Please inform yourself about the local separate collection system for electrical and electronic products.

Please act according to your local rules and do not dispose of your old products with your normal household waste. Correct disposal of your old product helps to prevent potential negative consequences for the environment and human health.



Your product contains batteries covered by the European Directive 2006/66/EC, which cannot be disposed with normal household waste. Please inform yourself about the local rules on separate collection of batteries because correct disposal helps to prevent negative consequences for the environmental and human health.



Your product is designed and manufactured with high quality materials and components, which can be recycled and reused.



CE logo. The logo informs that the receiver conforms to the terms and conditions of Directive 2004/108/EC concerning observance by Member States of provisions regulating electromagnetic compatibility, and to the terms and conditions of Directives 2006/95/EC concerning observance by Member States of provisions regulating low voltage electricity and safety with relation to the handling and operation of electrical equipment.

R&TTE Hereby Ferguson Sp. z o.o., declares that the device is in compliance with the essential requirements and other relevant provisions of Directive 1999/5/EC. You can find the Declaration of Conformity on www.deklaracje.ferguson.pl

This product has been designed, tested and manufactured according the European R&TTE directive 1999/5/EC.



Double insulation logo. This logo informs that the receiver is an electrically safe device, provided that it is used in accordance with the recommendations set forward in the chapter concerning safety.



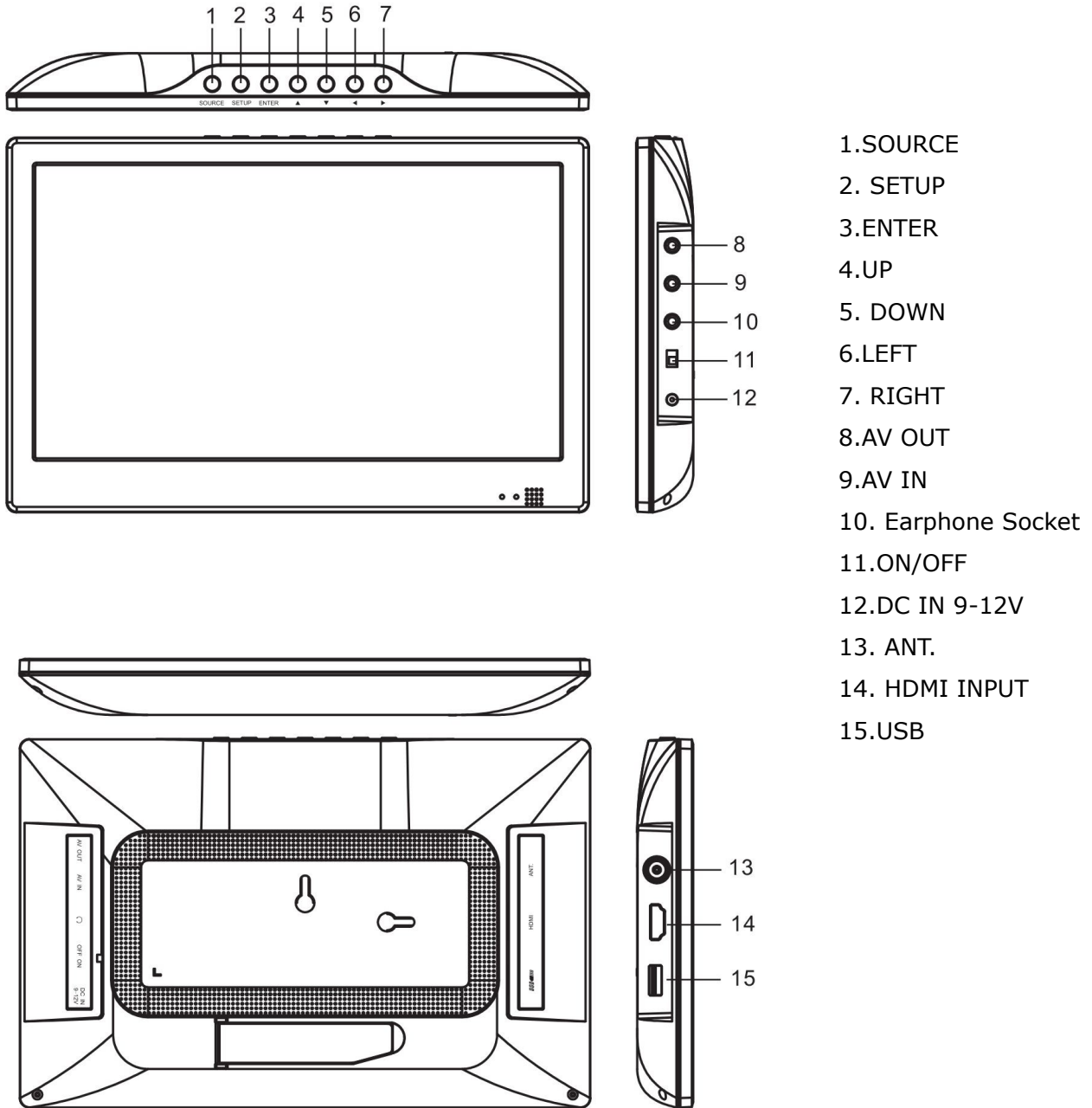
Hot surface mark
CAUTION: HOT SURFACE. DO NOT TOUCH. The top surface over the internal heat sink may become hot when operating this product continuously. Do not touch hot areas, especially around the "Hot surface mark" and the top panel.



When this logo is attached to a product, it means a financial contribution has been paid to the associated national recovery and recycling system.

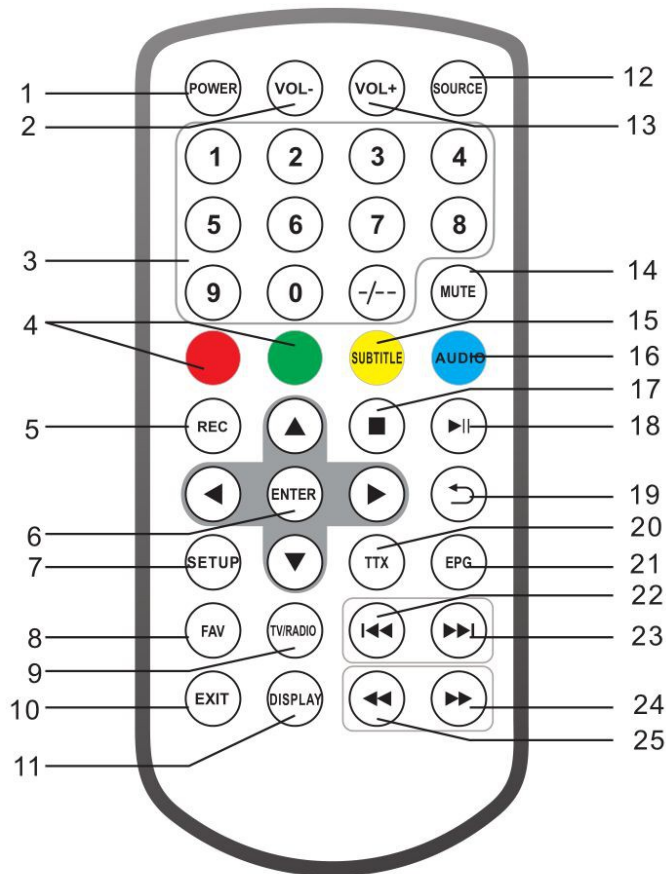
Identification of Controls

Main Unit



Identification of Controls

Remote control unit



- 1. POWER
On/off the power supply
- 2. VOL -
Adjust VOLUME.
- 3. 0-9 NUMBER BUTTON
Selects numbered items in a menu.
- 4. RED/GREEN
Some specific function
- 5. REC
Record digital service
- 6. ENTER
Confirm and Enter
- 7. SETUP
Main Menu/Return

- 8. FAV
Open Favorite Programs List Menu
- 9. TV/RADIO
Switch between TV and Radio source
- 10. EXIT
- 11. DISPLAY
display the information of the current signal
- 12. SOURCE
DTV/AV/MEDIA/HDMI INPUT.
- 13. VOL +
Adjust VOLUME.
- 14. MUTE
Mute the sound
- 15. SUBTITLE
Press SUBTITLE repeatedly during playback to view a different subtitle languages, if available.
- 16. AUDIO
Press AUDIO repeatedly during playback to hear a different audio language or audio track, if available.
- 17. STOP
- 18. PLAY/PAUSE
- 19. RETURN
- 20. TTX
- 21. EPG
show EPG information.
- 22. ⏪ BUTTON
Previous option.
- 23. ⏩ BUTTON
Next option.
- 24. ⏮ BUTTON
Fast forward
- 25. ⏭ BUTTON
Fast backward

SETUP MENU

Picture Menu



Section	Picture Menu Items	Value	Default Value
1	Picture Mode	Standard/ Optimal Soft/ Vivid / User	Standard
2	Brightness	0~100	50
3	Contrast	0~100	50
4	Sharpness	0~10	5
5	Colour	0~100	50
6	Tint	0~100	50
7	Color Temperature	Standard, Warm, Cool	Standard
8	Noise Reduction	Off, Low, Middle, High	Middle
9	Reset	--	--



Notes: The Brightness, Contrast, Sharpness, Colour and Tint can be set only when "Picture Mode" is "User", otherwise they are be set as relevant default value.

Sound Menu

This section will introduce some properties setting about system Sound.



Section	Sound Menu Items	Value	Default
1	Sound Mode	Standard, Movie, Music, Speech, User	Standard
2	Bass	0~100	50
3	Treble	0~100	50
4	EQ	ENTER(EQ setting menu)	ENTER
5	Balance	-50~50	0
6	Surround	Off, On	Off
7	AVL (Audio Volume Leveler)	Off, On	Off
8	Reset	ENTER (OK, Cancel)	Cancel



Notes: The Bass and Treble can be set only when "Sound Mode" is "User" otherwise they will be set as relevant default value.

TV Channel MENU



Functions in this page

Channel Management: To manage (Delete/Rename/Swap/Lock/ Skip) all channels.

Favorite Management: To set favorite channels.

Country: Set Country's type, different countries adjust to different search condition.

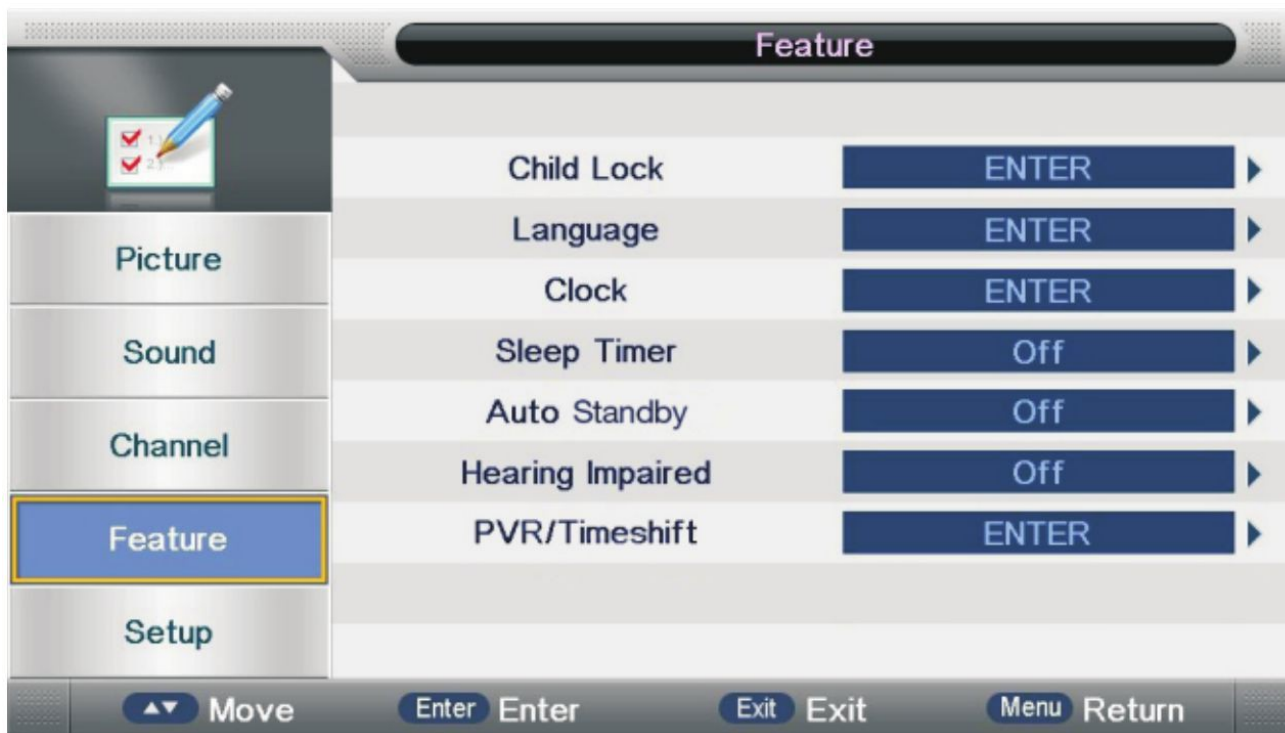
Auto Search: select auto search.

Digital Manual Search: To search digital channel by entering parameters manually.

LCN On/Off: On or off LCN

Feature Menu

This chapter will describe the function of Feature in Main Menu.



Child Lock: Enter the Child Lock sub page

The Child Lock sub page:

1. Child Lock

On: turn on Child Lock. User need to enter password to watch the channels which are locked. Also need to enter password when user tries to change settings in items like "reset system"/"reset database" etc.

Off: turn off Child Lock.

2. KeyPad Lock

On: turn on KeyPad Lock. Keypad event will get no response if it is On.

Off: turn off KeyPad Lock.

3. Parental Lock

Off: turn off Parental Lock.

4-18: turn on Parental Lock and set the age levels permitted to watch the program.

4. Change Pin Code

KEY_RIGHT or KEY_ENTER to enter the pin code changing page.

Language: System language setting includes OSD Language, Preferred Subtitle, Preferred Audio, Teletext Language.

Clock: It is used to check out the current system time and set time zone/DST.

Sleep Timer: When TV is running, start sleep function by setting Sleep Timer in any case. This function allows the TV power off within a period of time automatically. Supported time period are: Off, 15 Mins, 30Mins, 45Mins and 60Mins.

Auto Standby: When TV is running, Auto Power Off function can be start by setting Auto Power off Timer in any case. This function allows user to power off the TV within a period of time. Supported time period are: Off, 3 Hours, 4 Hours.

Hearing impaired: This function offers a subtitle such as a “stroke on the door” or “the bell starts to ring” for the current scene in case that the user is weak in hearing.

Setup Menu

This chapter will describe the function of Setup in Main Menu.



Section	Setup Menu Items	Value	Default
1	OSD Timer	5, 10, 15, 20, 25, 30 (Seconds), Never	Never
2	HDMI Mode	(Auto, PC, Video)	Auto
3	Blue Screen	(Off, On)	Off
4	Aspect Ratio	(Auto, 4:3, 16:9, Full, Zoom1, Zoom2, Panorama)	16:9
5	Reset TV Setting	“ENTER”	--
6	Software Upgrade	“ENTER”	--

Media Menu

Select media [Press source key]

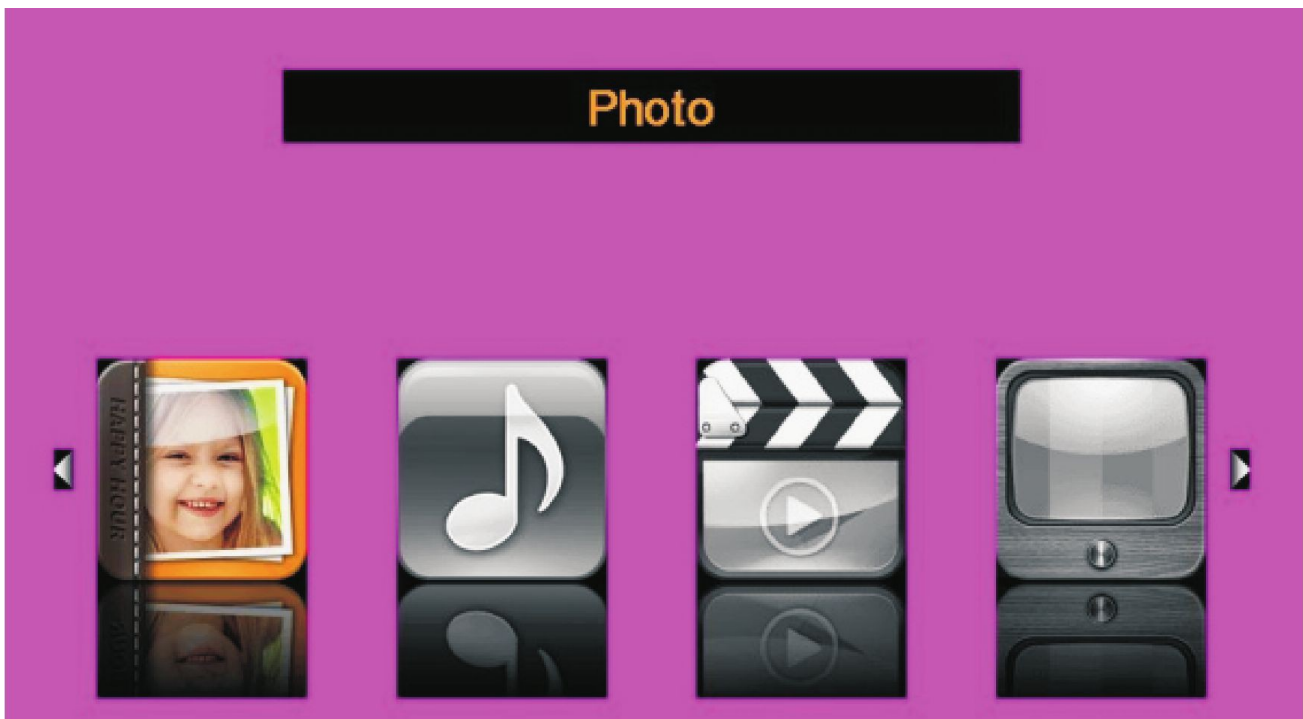
Multimedia Home Page manages all the information of media.

KEY_RIGHT/KEY_LEFT can help to switch the items. KEY_ENTER will confirm the selected item and enter the detailed menu.

Sub Items:

1. Photo (bmp, jpg, jpeg, gif, png photos playback)
2. Music (mp3, ogg music playback)
3. Movie (Movie playback)
4. PVR (PVR files playback)
5. E-book (ttx, e-book playback)

Menu shows as follows:



Not all files with those extensions are playable - some files may include not supported codecs and/or settings.

Supported video files containers: AVI, MTS, M2TS, MPG, MKV, MP4, M4V, MOV, M2V, VOB, TS

|

|-> video codec supported in containers: mpeg2, XVID, H.264 (up to 8 RF)

|-> audio codec supported in containers: MP3, OGG, AC3

Technical Specifications

Item	Sub Item	Parameter
Tuner	Input Frequency	170~230MHz 470~860MHz
	RF Input level	-25~-82dBm
	IF Bandwidth	7MHz and 8MHz
	Modulation	QPSK,16QAM,64QAM
Video	Decoder Format	MPEG4 AVC/H.264 HP@L4 MPEG2 MP@ML.HL
	Output Port	CVBS
Audio	Decoder Format	MPEG-1 (layer1&2&3)
	Audio output	Stereo
Power	Voltage	DC 9V (1.5 A)
	Working Power	≤ 12W

Product Fiche		
Commercial Brand: FERGUSON		
Model No.	PHT-1008	
Energy efficiency class	A	
Visible screen size (diagonal, approx.) (inch/cm)	10,1 cali	25,5 cm
On mode average power consumption (Watt)	9	
Annual energy consumption (kWh/annum)	13,14	
Standby power consumption (Watt)	0,5	
Off mode power consumption (Watt)	0	
Display resolution (px)	1024×600	