
Introduction

- 1 Supplied accessories
- 1 Placement
- 1 Safety and maintenance
- 2 Power Sources
- 2 Handling the LCD screen
- 2 Handling discs
- 2 Environmental information
- 2 Copyright information

Preparations

- 3 Power supply
- 4 Connections

Functional Overview

- 5 Front panel
- 6 Side panel
- 7 Remote Control

Getting Started

- 8 About this manual
- 8 Playable Discs
- 9 Switching on for OSD language setup
- 9 Playing a DVD disc
- 9 Playing an audio or Video CD disc
- 10 Switching playback mode
- 10 Playing DivX® disc
- 10 Playing music files
- 10 Playing a JPEG discs
- 11 USB/CARD/AV IN playback

General features

- 12 Moving to another title / track / chapter
- 12 Still picture and step frame
- 12 Fast playback
- 12 Changing the audio output
- 12 ZOOM
- 12 MUTE
- 13 REPEAT
- 13 SEARCH
- 13 Volume Control
- 14 Special DVD features

Setup Operations

- 15 System Setup
- 15 Language Setup
- 15 Audio Setup
- 15 Video Setup

Troubleshooting

Specification

Glossary

Supplied accessories

First check and identify the contents of your package, as listed below:

- Portable DVD player
- Remote Control
- Car adaptor (12V)
- AC power adaptor
- Rechargeable battery pack
- User Manual
- Warranty
- Audio / Video cable

Placement

- Place the player on a firm, flat surface.
- Keep away from domestic heating equipment and direct sunlight.
- If the player cannot read CDs/DVDs correctly, try using a commonly available cleaning CD/DVD to clean the lens before taking the player to be repaired. Other cleaning methods may destroy the lens.
- Always keep the disc door closed to avoid dust on the lens.
- The lens may cloud over when the player is suddenly moved from cold to warm surroundings. It is then not possible to play a CD/DVD. Leave the player in a warm environment until the moisture evaporates.

Safety and maintenance

- Do not disassemble the unit for laser rays are dangerous to eyes. Any service should be done by qualified service personnel.
- Unplug the AC adaptor to cut the power if liquid or objects get inside the unit.
- Take care not to drop the unit or subject it to strong shocks, which may cause malfunction.
- Hearing safety: listen at a moderate volume. Using headphones at high volume can impair your hearing.
- Traffic safety: do not use while driving or cycling as you may cause an accident.
- Do not expose to excessive heat caused by heating equipment or direct sunlight.
- This product is not waterproof: do not allow your player to be submersed in water. Water entering the player may cause major damage.
- Do not use any cleaning agents containing alcohol, ammonia, benzene, or abrasives as these may harm the player.
- Apparatus shall not be exposed to dripping or splashing. Do not place any sources of danger on the apparatus (e.g. liquid filled objects, lighted candles)
- Do not touch the lens!

Note:

When the player is in use for a long period of time, the surface will be heated. This is normal.

Introduction

Power Sources

This unit operates on a supplied AC adaptor, car adapter, or a rechargeable battery pack.

- Make sure that the input voltage of the AC adaptor is in line with the local voltage. Otherwise, the AC adaptor and unit may be damaged.
- Do not touch the AC adaptor with wet hands to prevent electric shock.
- When connecting with car power (cigarette lighter) adaptor, be sure the input voltage of the adaptor is identical with car voltage.
- Unplug the AC adaptor from the outlet or remove the battery pack when the unit is not used for long periods of time.
- Hold the plug to disconnect the AC adaptor. Do not pull the power cord.

Handling the LCD screen

The LCD is manufactured using high precision technology. You may, however, see tiny black points and/or bright points (red, blue, green) that continuously appear on the LCD. This is a normal result of the manufacturing process and does not indicate a malfunction.

Handling discs

- Do not attach paper or tape to the disc.
- Keep the disc away from direct sunlight or heat sources.
- Store the disc in a disc case after playback.
- To clean, wipe the disc outwards from the center with a soft, lint-free clean cloth.

Environmental information

We have reduced the packaging to its minimum and made it easy to separate into mono materials: cardboard, PS, PE and PET.

Your set consists of material which can be recycled if disassembled by a specialized company. Please observe the local regulations to dispose of packaging, exhausted batteries and old equipment.

Copyright information

“DivX, DivX” Certified, and associated logos are trademarks of DivX Networks, Inc. and are used under license.”

All other brand and product names are trademarks of their respective companies or organizations.

Unauthorized duplication of any recordings downloaded from the internet or made from CDs / VCDs / DVDs is a violation of copyright laws and international treaties.

Power supply

Using the AC / DC adaptor

Connect the supplied adaptor to the set (DC IN 9V socket) and the main power supply.

Note:

To avoid damage to the player, switch off before plugging or unplugging the AC adaptor.

Using the car adaptor

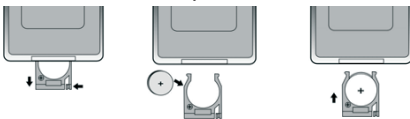
Connect the supplied car adaptor to the set (DC IN 9V socket) and the car cigarette lighter outlet.

Note:

- To avoid damage to the player, switch off before plugging or unplugging the car adaptor.
- When connecting with car power (cigarette lighter) adaptor, be sure the input voltage of the adaptor is identical with car voltage.

Powering your remote control

- ① Open the battery compartment. Remove the protective plastic tab (first time users only).
- ② Insert 1 x lithium 3V battery, type CR2025, then close the compartment.



Batteries contain chemical substances, so they should be disposed of properly.

Incorrect use of batteries can cause electrolyte leakage and will corrode the compartment or cause the batteries to burst.

Remove the batteries if the set is not to be used for a long time.

Attaching and charging the battery pack

- ① Switch off the set. Attach the battery pack.
- ② Connect the supplied adaptor to the set and the main power supply. Charge until the red indicator turns off (approximately 4.5 - 6.5 hours when unit is charged from power off).

Note:

- It is normal for the battery pack to become warm during charging.
- Rechargeable batteries have a limited number of charge cycles and may eventually need to be replaced. Battery life and number of charge cycles vary by use and settings.

Detaching the battery pack

- ① Switch off the set.
- ② Unplug the AC adaptor.
- ③ Turn the player upside down.
- ④ Press down the battery pack lock switch.
- ⑤ Slide off the battery pack.

Note:

To avoid damage to the player, switch off before plugging or unplugging the AC adaptor.

Preparations

Connections

Connecting headphones

Connect the headphones into the **COAXIAL 1** or the **COAXIAL 2** output of your set.

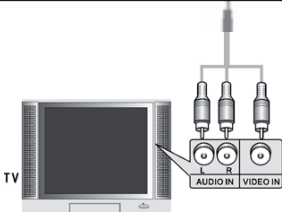
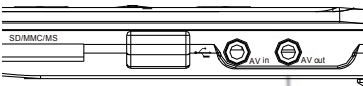


Connecting additional equipment

- Turn off your set before connecting to any additional equipment.
- You can connect the player to a TV or an amplifier to enjoy DVDs.

AV OUT

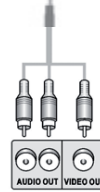
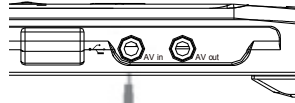
On the DVD player panel, press **MODE** to select A/V OUT



Connection	Color
Video	Yellow
Audio (Left)	White
Audio (right)	Red

AV IN

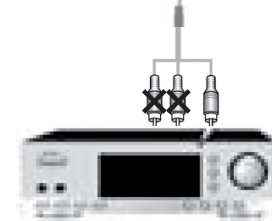
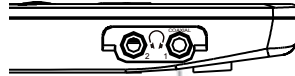
On the DVD player panel, press **MODE** to select A/V IN.



Connection	Color
Video	Yellow
Audio (Left)	White
Audio (right)	Red

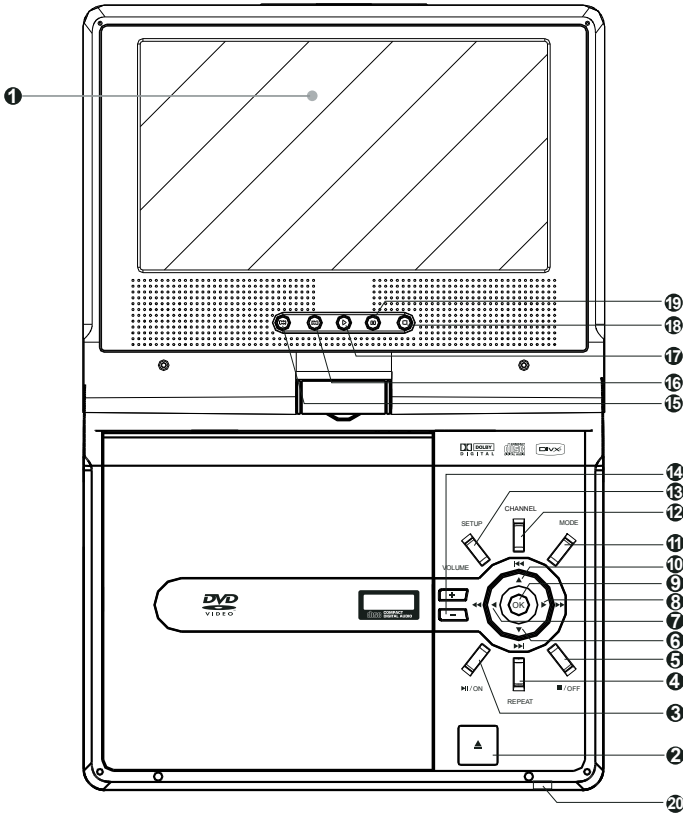
Digital Audio Out

Connect the supplied cable into the **COAXIAL 1** or the **COAXIAL 2** jack of your set. Connect yellow jack to coaxial input in amplifier.



Connection	Color
Digital audio	Yellow

Front panel

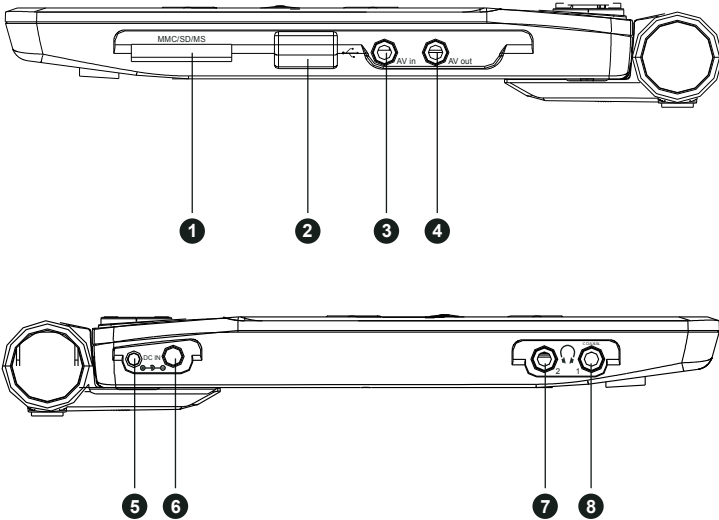


- | | |
|-----------------------|------------------|
| ① TFT display screen | ⑪ Mode |
| ② Open/Close | ⑫ Audio |
| ③ Play/Pause/Power on | ⑬ Setup |
| ④ Repeat | ⑭ Volume + / - |
| ⑤ Stop/Power off | ⑮ Previous track |
| ⑥ Down cursor | ⑯ Next track |
| ⑦ Left cursor | ⑰ Play |
| ⑧ Right cursor | ⑱ Stop |
| ⑨ Confirm | ⑲ Pause |
| ⑩ Up cursor | ⑳ Remote Sensor |

Functional Overview

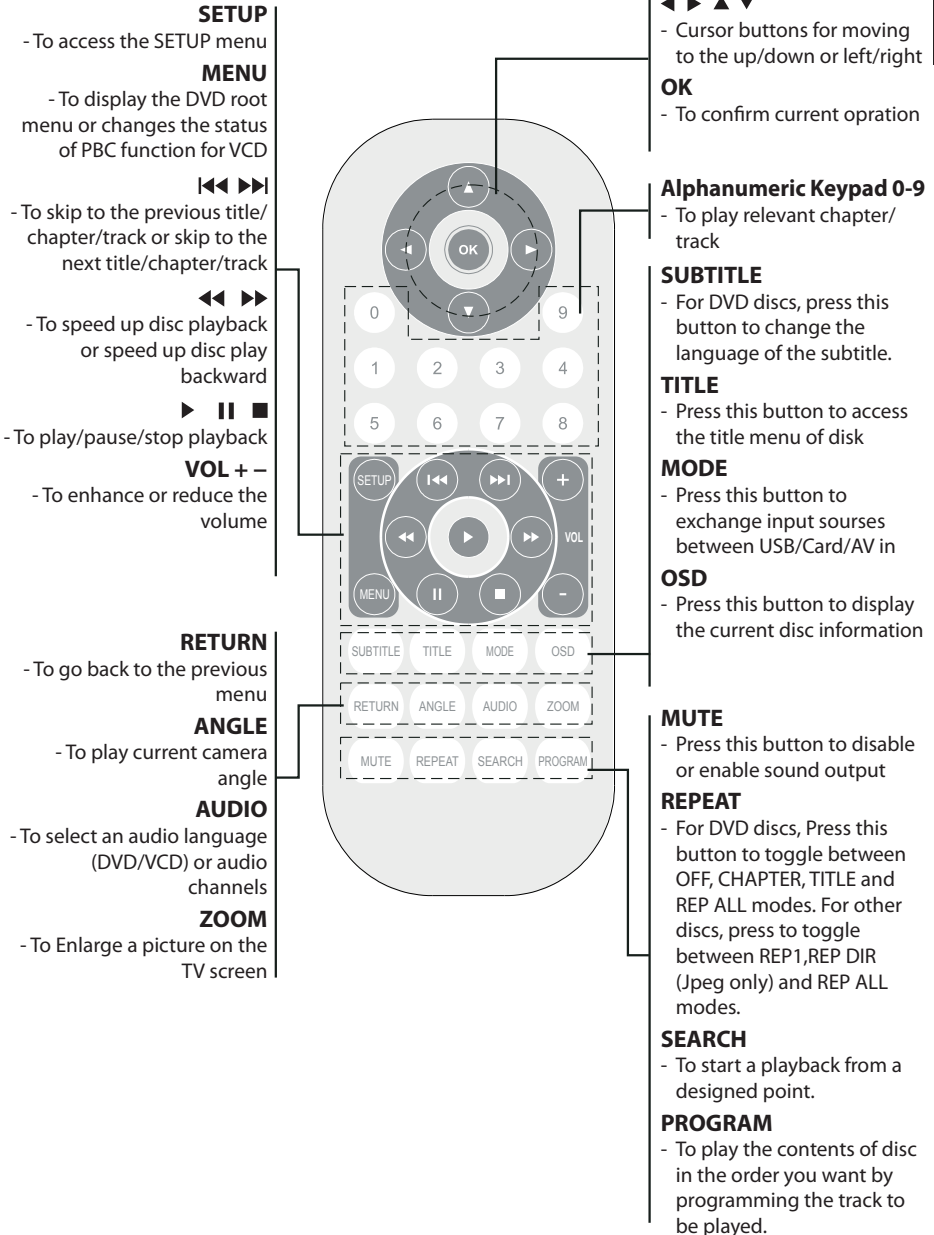
ENGLISH

Side panel



- ① Memory
- ② USB jack
- ③ Audio/ Video Input
- ④ Audio/ Video Output
- ⑤ Power light
- ⑥ DC 9V Power Supply Input
(only use this adapter with this product)
- ⑦ Earphone jack2
- ⑧ Earphone jack1/Coaxial jack

Remote Control



Getting Started

About this manual

This manual gives the basic instructions for operating this DVD player. Some DVD discs however are produced in a way that requires specific operation or allows only limited operation during playback. In these cases the player may not respond to all operating commands. When this occurs, please refer to the instructions in the disc inlay. When a "Invalid key" appears on the screen, the operation is not permitted by the player or the disc.

Remote control operation

- Unless otherwise stated, all operations can be carried out with the remote control. Always point the remote control directly at the player, making sure there are no obstructions in the path of the infrared beam.
- When there are corresponding keys on the main unit, they can also be used.

Menu navigation

- Your player has an intuitive menu navigation system to guide you through various settings and operations.
- Use the function keys to activate / disable relevant operations.
- Use ▲▼◀▶ to browse through menus.
- Press **OK** key to confirm your selection.

Playable Discs

In addition to DVD-Video disc, you will also be able to play all Video CDs and audio CDs (including CD-R, CD-RW, DVD±R and DVD±RW).

DivX video discs

You can also view discs containing DivX® video on this player.

- Official DivX® Certified™ product
- Plays DivX®5, DivX®4, DivX®3, and DivX® VOD video content.

DVD-Video

Depending on the material on the disc (a movie, video clips, a drama series, etc.) these discs may have one or more Titles, and each Title may have one or more Chapters. To make access easy and convenient, your player lets you move between Titles, and also between Chapters.

Video CD

Depending on the material on the disc (a movie, video clips, a drama series, etc.) these discs may have one or more Tracks, and tracks may have one or more indexes, as indicated on the disc case. To make access easy and convenient, your player lets you move between tracks and between indexes.

Audio CD / Music files

Audio CDs / music files CD contain music tracks only. You can play them in the conventional way through a stereo system using the keys on the remote control and/or main unit, or via the TV using the On Screen Display (OSD).

CD with JPEG files

You can also view JPEG still photos on this player.

Switching on for OSD language setup

Polish is the default language of your player's on screen display. You may choose to use Polish, English, Spanish, German, Russian for your player's on screen display.

- ① Press the **ON** switch to switch on the player.
- ② Press **SETUP** for the set up menu.
- ③ Select LANGUAGE SETUP.
- ④ Scroll and select OSD LANGUAGE and press **OK** to select from OSD language options.
- ⑤ Select your preferred language and press **OK**.

Playing a DVD disc

After switching on, inserting the disc and closing the door, playback starts automatically. The screen shows the type of disc loaded. The disc may invite you to select an item from a menu. Use the ◀ ▶ ▲ ▼ keys to highlight your selection, and press **OK**.

Note:

Since it is usual for DVD movies to be released at different times in different regions of the world, all players have region codes and discs can have an optional region code. If you load a disc of a different region code to your player, you will see the region code notice on the screen. The disc will not play, and should be unloaded.

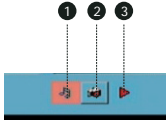
Playing an audio or Video CD disc

- After switching on, inserting the disc and closing the door, the screen shows the type of disc loaded as well as information about the disc's contents. Press ▶ to start playback.
- While playing VCD with Karaoke, press **number keys (0-9)** to select the track and press ▶ or **OK** to play the track. Press **RETURN** to go back to menu of the selection.

Getting Started

Switching playback mode

There are three available multimedia playback modes (shown below).



Use the ◀ ▶ ▲ ▼ keys to highlight your selection, and press **OK**.

- ① Music files playback
- ② Picture files playback
- ③ Video files playback

Playing DivX® disc

- Ferguson provide you the DivX® VOD (Video on Demand) registration code that allows you to rent and purchase videos using the DivX® VOD service. For more information, visit www.divx.com/vod.
- Selection the DivX® VOD on the SETUP menu.
- The registration code will appear.
- Use the registration code to purchase or rent the videos from DivX® VOD service at www.divx.com/vod. Follow the instructions and download the video onto a CD-R for playback on this DVD player.

Note:

All the downloaded videos from DivX® VOD can only be played back on this DVD player.

Playing music files

The following playback features are available for music files-CDs. Please refer to the corresponding sections for more information.

Volume control, skipping tracks, searching, repeat, shuffle, etc.

Use the ◀ ▶ ▲ ▼ keys to highlight your selected music folder.

Press **OK** to play.

You cannot play copy protected files.

Playing a JPEG discs

Use the ◀ ▶ ▲ ▼ keys to highlight your selected picture folder. Press **OK**. The player will then automatically enter the slide show mode.

Using the full display screen, this shows the rest of the JPEG files, one-by-one, located in the selected current folder.

- Use the ◀▶ to rotate the picture.
- Use the ▲ to flip up/down.
- Use the ▼ to flip left/right.
- During the slide show, press **RETURN** to go back to folder screen.
- Use the ◀ ▶ ▲ ▼ to highlight the preview picture and access the on-screen functions.

Note:

Unless stated otherwise, all operations described are based on remote control operation.

USB/CARD/AV IN playback

USB playback

Insert a USB device into the USB port, press **MODE** key on the front panel or on the remote control, a file menu that contains all supported files will appear on the TV screen and play it automatically.

SD/MMC/MS card playback

Insert a card into cardreader which marked "SD/MMC/MS" on the side of portable, press **MODE** key on the front panel or on the remote control, a file menu that contains all supported files will appear on the TV screen and play it automatically.

AV in

Press **MODE** button on the front panel or on the remote control, it will switch to outer input device status automatically.

General features

Moving to another title / track / chapter

When a disc has more than one title or track, you can move to another title/track/chapter as follows:

- Press **▶▶** briefly during play to select the next title/ track / chapter.
- Press **◀◀** briefly during play to step back to the previous title/track/chapter.
- To go directly to any title, track or chapter, enter the corresponding number using the **numerical keys (0-9)**.

Still picture and step frame

Press **||** once or more for the following still picture and step frame options:

|| x1 Pause / Still picture

|| x2 screen shows **|▶**

After the icon **|▶** is displayed, press **||** repeatedly to play frame by frame.

Press **OK** to resume normal playback.

Fast playback

Press **▶▶** repeatedly for the following forward search options: 2x, 4x, 8x, 20x, normal speed.

Press **◀◀** repeatedly for the following backward search options: 2x, 4x, 8x, 20x, normal speed

Press **OK** or **▶** to resume normal playback.

Changing the audio output

For DVD

- Press **AUDIO** repeatedly to select different audio language.

For VCD

- Press **AUDIO** to select the available audio channels provided by the disc (**Mono Left, Mono Right, Stereo**).

ZOOM

This function allows you to enlarge the picture on the TV screen and to pan through the enlarged picture

- ① During playback, press **ZOOM** repeatedly to display the picture with different scales.
 - Use **◀▶▲▼** keys to pan through the enlarged picture.
 - Playback will continue.
- ② Press **ZOOM** repeatedly to return to the original size.

MUTE

Press **MUTE** once to mute player volume. Press **MUTE** again to disable.

REPEAT

The repeat play options vary depending on the disc type.

- 1 While playing a disc, press **REPEAT** continuously to choose a repeat options.

For DVD

- Chapter (currently playing track)
- Title (currently playing title)
- All (entire disc)
- Off (Cancel)

For Video CD, Audio CD

- Track (currently playing track)
- Shuffle(all files in current folder at random playback)
- All (entire disc)
- Off (Cancel)

For Music Files and JPEG

- Repeat One (currently playing file)
- Repeat Folder (all files in selected folder)
- Shuffle (all files at random playback)
- Off (Cancel)

For DivX

In STOP mode,

- Repeat One (currently playing file)
- Repeat Folder(all files in selected folder)
- All (entire disc)
- Off (Cancel)

- 2 To cancel repeat playback, press **STOP** ■.

Helpful hint:

- For VCD, repeat playback is not possible if the PBC mode is switch on.

SEARCH

OSD menu shows the disc playback information (for example, title or chapter number, elapsed playing time, audio/ subtitle language), a number of operations can be done without interrupting disc playback.

- During playback, press **SEARCH**
 - A list of available disc information appears on the TV screen.
- 1 Press ◀▶ to highlight {Title} / {Chapter} / {Track} or {Time}.
- 2 Use the **numeric keypad (0-9)** to enter a valid number (e.g. 04/05).
- 3 Press **OK** to confirm.
 - The playback skips to the selected title/ chapter/track/time.

Volume Control

- Press + / - to increase or decrease playback volume in the Remote Control

General features

Special DVD features

Checking the contents of DVD-Video discs: Menu.

For titles and chapters, selection menus may be included on the disc.

The DVD's menu feature allows you to make selections from these menus. Press the appropriate numerical key; or use the ◀▶▲▼ keys to highlight your selection, and press **OK**.

Disc menu

Press **MENU**. The menu may list, for example, camera angles, spoken language and subtitle options, and chapters for the title.

Camera angle

If the disc contains sequences recorded from different camera angles, the angle icon appears, showing the number of available angles, and the angle being shown. You can then change the camera angle if you wish.

Press **ANGLE** repeatedly until you have reached your desired viewing angle. To resume to normal viewing angle, press **ANGLE** repeatedly until no angle related message is shown on the screen.

Subtitles

Press **SUBTITLES**. If the current disc has different subtitles options, this now appears on the screen. Press **SUBTITLES** repeatedly until you have reached your desired subtitles option.

To maximize your playback experience, use **SETUP** to fine tune your settings. Use the ◀▶▲▼ keys to highlight your selection, and press **OK**.

System Setup

When the cursor highlights these settings, press **OK** to:

TV SYSTEM - select video standard of external TV set

SCREEN SAVER - select screen saver options

TV TYPE - select display ratio

Disc Picture	4:3		TV Display	
	Pan-Scan	Letterbox	16:9	
4:3				
16:9				

PASSWORD - change existing password (default: 1234)

RATING - select parental options

DEFAULT - Restore factory settings

Press ◀ to abort current setting or go back to previous menu level.

Language Setup

When the cursor highlights these settings, press **OK** to:

OSD LANGUAGE - select on screen display language

AUDIO LANG - select audio language options

SUBTITLE LANG - select subtitle language options

MENU LANG - select disc menu language options

DivX® VOD - get DivX code for VOD

Press ◀ to abort current setting or go back to previous menu level.

Audio Setup

When the cursor highlights these settings, press **OK** to:

AUDIO OUT - select digital audio options

DOWN SAMPLE - select audio down sample options

DOWNMIX - select audio channels downmix options

Press ◀ to abort current setting or go back to previous menu level.

Video Setup

When the cursor highlights these settings, press **OK** to:

BRIGHTNESS - adjust the brightness

CONTRAST - adjust the contrast

HUE - adjust the hue

SATURATION - adjust the saturation

TFT PANEL - turn on/off LCD screen when external screen is connected

Press ◀ to abort current setting or go back to previous menu level.

Troubleshooting

WARNING

Under no circumstances should you try to repair the system yourself, as this will invalidate the warranty. Do not open the system as there is a risk of electric shock.

If a fault occurs, first check the points listed below before taking the system for repair. If you are unable to remedy a problem by following these hints, consult your dealer for help.

Problem	Solution
No power	<ul style="list-style-type: none"> – Check if both plugs of the mains cord are properly connected. – Check if there is power at the AC outlet by plugging in another appliance. – Check if battery pack is inserted appropriately. – Check if car adaptor is connected appropriately.
Distorted picture	<ul style="list-style-type: none"> – Sometimes a small amount of picture distortion may appear depending on the disc being played back. This is not a malfunction. – Check the disc for fingerprints and clean with a soft cloth, wiping from centre to edge.
Completely distorted picture or black/white picture with DVD	<ul style="list-style-type: none"> – Make sure the disc is compatible with the DVD/Player. – The NTSC/PAL setting may be in the wrong status. Match your TV's setting with the player's setting.
No sound or distorted sound	<ul style="list-style-type: none"> – Adjust the volume. – Check audio connections. If using a HiFi amplifier, try another sound source.
No audio at digital output	<ul style="list-style-type: none"> – Check the digital connections. – Check if your receiver can decode MPEG-2 and if not, please make sure the digital output is set to PCM. – Check if the audio format of the selected audio language matches your receiver capabilities.
Disc can't be played	<ul style="list-style-type: none"> – The DVD+R/CD-R must be finalised. – Ensure the disc label is facing up. – Check if the disc is defective by trying another disc. – Region code incorrect.
Picture freezes momentarily during playback	<ul style="list-style-type: none"> – Check the disc for fingerprints/scratches and clean with a soft cloth wiping from centre to edge.
The player does not respond to the Remote Control	<ul style="list-style-type: none"> – Aim the Remote Control directly at the sensor on the front of the player. – Reduce the distance to the player. – Replace the batteries in the Remote Control. – Re-insert the batteries with their polarities (+/- signs) as indicated.
Player does not respond to some operating commands during playback.	<ul style="list-style-type: none"> – Operations may not be permitted by the disc. Refer to the instructions of the disc jacket.
DVD Player cannot read CDs/DVDs	<ul style="list-style-type: none"> – Use a commonly available cleaning CD/DVD to clean the lens before sending the DVD Player for repair.

No sound during DivX movies playback

- The audio codec may not be supported by the DVD player.

An DivX movies does not repeat

- Check that file size of the movies does not exceed the file size of the CD disc during burning.

The contents of the USB flash drive cannot be read

- The USB flash drive format is not compatible with the player.
- Drive is formatted with a different file system. (eg. NTFS)

Slow operations of the USB flash drive

- Big file size or high resolution USB flash drive takes longer time to read and display on the TV screen.

Player feels warm

- When the player is in use for a long period of time, the surface will be heated. This is normal.

Specification

VIDEO PERFORMANCE

7" TFT LCD color display (1440 x 234)
Video DAC 10bit 108MHz
Video output 1Vpp --75ohm

VIDEO FORMAT

Digital Compression	MPEG 2 for DVD, SVCD
	MPEG 1 for VCD
	MPEG-4
	DivX (3.11, 4.x, 5.x, 6)
	XviD

AUDIO FORMAT

Digital	MPEG/AC-3/ PCM	compressed Digital 16,20,24 bits fs, 44.1,48, 96kHz kbps & variable bit rate fs 32,44.1, 48 kHz
---------	-------------------	--

Analog Sound Stereo

Dolby Surround compatible downmix from Dolby

Digital multi-channel sound

AUDIO PERFORMANCE

DVD	fs 96 kHz	4Hz-44kHz
	fs 48 kHz	4Hz-22kHz
SVCD	fs 48 kHz	4Hz-22kHz
	fs 44.1kHz	4Hz-20kHz
CD/VCD	fs 44.1kHz	4Hz-20kHz
Signal-Noise (1kHz)		>90 dB
Dynamic range (1kHz)		>80 dB
Crosstalk (1kHz)		>80 dB
Distortion/noise (1kHz)		>70 dB

CONNECTIONS

Earphone Output	2x mini jack
Stereo Output	
Audio-video Input	mini jack - cinch 3x
Audio-video Output	mini jack - cinch 3x
Digital Audio Output	1 coaxial
USB	
SD/MMC/MS card reader	

CABINET

Dimensions (w x h x d)	204 x 160 x 31 mm
Weight	Approximately 660g

POWER CONSUMPTION

Power Supply Rating	110-240V; 50/60Hz
Power Supply DC Voltage	9V 1.5A
Power consumption	<15W

Specifications subject to change without prior notice

Analog: Sound that has not been turned into numbers. Analog sound varies, while digital sound has specific numerical values. These jacks send audio through two channels, the left and right.

Aspect ratio: The ratio of vertical and horizontal sizes of a displayed image. The horizontal vs. vertical ratio of conventional TVs. is 4:3, and that of widescreens is 16:9.

Bit Rate: The amount of data used to hold a given length of music; measured in kilobits per seconds, or kbps. Or, the speed at which you record. Generally, the higher the bit rate, or the higher the recording speed, the better the sound quality. However, higher bit rates use more space on a Disc.

Chapter: Sections of a picture or a music piece on a DVD that are smaller than titles. A title is composed of several chapters. Each chapter is assigned a chapter number enabling you to locate the chapter you want.

Disc menu: A screen display prepared for allowing selection of images, sounds, subtitles, multi-angles, etc recorded on a DVD.

Digital: Sound that has been converted into numerical values. Digital sound is available when you use the DIGITAL AUDIO OUT COAXIAL jack. These jacks send audio through multiple channels, instead of just two channels as analog does.

DivX 3.11/4.x/5.x/6: The DivX codec is a patentpending, MPEG-4 based video compression technology, developed by DivXNetworks, Inc., that can shrink digital video to sizes small enough to be transported over the internet, while maintaining high visual quality.

Dolby Digital: A surround sound system developed by Dolby Laboratories containing up to six channels of digital audio (front left and right, surround left and right, center and subwoofer).

JPEG: A very common digital still picture format. A still-picture data compression system proposed by the Joint Photographic Expert Group, which features small decrease in image quality in spite of its high compression ratio.

Multichannel: DVD is specified to have each sound track constitute one sound field. Multichannel refers to a structure of sound tracks having three or more channels.

Parental Control: A function of the DVD to limit playback of the disc by the age of the users according to the limitation level in each country. The limitation varies from disc to disc; when it is activated, playback will be prohibited if the software's level is higher than the user-set level.

PCM (Pulse Code Modulation): A system for converting analog sound signal to digital signal for later processing, with no data compression used in conversion.

Playback control (PBC): Refers to the signal recorded on video CDs or SVCDs for controlling reproduction. By using menu screens recorded on a Video CD or SVCD that supports PBC, you can enjoy interactive-type software as well as software having a search function.

Surround: A system for creating realistic three-dimensional sound fields full of realism by arranging multiple speakers around the listener.

Title: The longest section of a picture or music feature on DVD, music, etc., in video software, or the entire album in audio software. Each title is assigned a title number enabling you to locate the title you want.

