

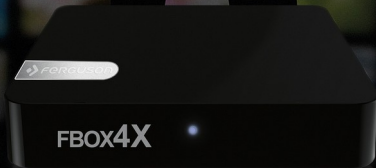
4K  DUALBAND WI-FI
HDMI HEVC
2.0 H.265

User manual

English

FBOX4X

Turns your TV into Smart TV



REMEMBER

1. In order to use an external USB memory, the memory must support the USB 2.0 standard. To ensure stable recording and playback, you must use a memory with a recording speed of 9.0 MB/s or greater. Slower hard disk drives and flash memories may not function properly, have problems with recording or playing (image jitter), or not function at all.
2. Only disks with one basic NTFS or FAT32 partition (we recommend using the NTFS format) will function properly. If you do not have such a format, prepare the disk on your computer before connecting it to the Ferguson FBOX4X.
3. Highly fragmented or used memories may also not operate smoothly or correctly.
4. For more answers to questions can be found on page <http://wiki.ferguson.pl>

CAUTION

1. Under no circumstances should you disconnect the USB device from the Ferguson FBOX4X during recording or playback. Disconnecting during operation may cause damage to the Ferguson FBOX4X and/or flash memory, and to the recorded data.
2. Do not touch the working device (and in particular the USB connector) with wet hands. Risk of electric shock and permanent damage to the Ferguson FBOX4X!

GNU/GPL LICENSING INFORMATION

Please consult the legal information available on your device under Settings > About FBOX4X or visit <http://source.android.com/source/licenses.html> for more information.

DOWNLOADABLE SOFTWARE

Ferguson has taken every effort to provide users with software updates in order to ensure that the parameters of the Ferguson FBOX4X are up to date. Ferguson reserves itself the right to amend, change or modify the software used in the Ferguson FBOX4X as it shall choose and without prior notification. The latest version of the software is available on the website:

<http://www.fbox.ferguson.pl>

Android is a trademark of Google Inc.

Google and the Google logo are registered trademarks of Google Inc.



Please keep in mind that new software may change the functionality of the Ferguson FBOX4X. Photographs and descriptions included in the instruction manual are for informational purposes only. If you notice an error, please report it – we shall make every effort to have it rectified.

SAFETY MEASURES

We request that you read the instruction manual and recommendations set forward therein. Also remember to connect suitable power supply!



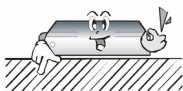
In order to avoid an electric shock, never open the housing. Damage to the warranty seal shall void the warranty.



Disconnect the device from the mains during thunderstorms or when it is not to be used for an extended period of time. Please remember that the warranty does not cover damage to the equipment caused by a lightning strike.



Do not expose the device to direct sunlight. Place it away from sources of heat and humidity. Do not cover ventilation ducts, in order to ensure the correct circulation of air.



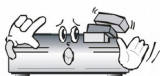
Place the device horizontally on a flat, even and stable surface.



If you move the device from a room that is warm to one that is cold (or vice versa), wait at min. 1 hour before connecting it to the mains. Otherwise, problems may arise.



The device should be placed away from vases, bottles, aquariums and other water containers in order to avoid damage. Do not touch the mains plug with your bare hands.



Do not place any objects on the housing of the device. This may cause overheating and reception problems.

Before commencing maintenance or installation work, disconnect the Ferguson FBOX4X from the mains. Do not clean the Ferguson FBOX4X with alcohol or liquids containing ammonia. If necessary, clean it with a soft, lint-free cloth wetted with a gentle solution of water and soap.

- Do not connect any cables when the mains plug is in the socket.
- Check the condition of your cables. Damaged cables may cause a fire.
- Please disconnect the Ferguson FBOX4X from the mains before connecting any cables.

MARKINGS AND SIGNS APPLIED TO THE Ferguson FBOX4X



When this crossed-out wheeled bin symbol is attached to a product it means that the product is covered by the European Directive 2002/96/EC. Please inform yourself about the local

separate collection system for electrical and electronic products.

Please act according to your local rules and do not dispose of your old products with your normal household waste.

Correct disposal of your old product helps to prevent potential negative consequences for the environment and human health.



Your product contains batteries covered by the European Directive 2006/66/EC, which cannot be disposed with normal household waste. Please inform yourself about the local rules on separate collection of batteries because correct disposal helps to prevent negative consequences for the environmental and human health.



Your product is designed and manufactured with high quality materials and components, which can be recycled and reused.



CE logo.

The logo informs that the Ferguson FBOX4X conforms to the terms and conditions of Directive 2004/108/EC concerning observance by Member States of provisions regulating electromagnetic compatibility, and to the terms and conditions of Directives 2006/95/EC concerning observance by Member States of provisions regulating low voltage electricity and safety with relation to the handling and operation of electrical equipment.

R&TTE Hereby Ferguson Sp. z o.o., declares that the device is in compliance with the essential requirements and other relevant provisions of Directive 2014/53/EU. You can find the Declaration of Conformity on www.deklaracje.ferguson.pl

This product has been designed, tested and manufactured according the

European R&TTE directive 2014/53/EU.



Double insulation logo.

This logo informs that the Ferguson FBOX4X is an electrically safe device, provided that it is used in accordance with the recommendations set forward in the chapter concerning safety.



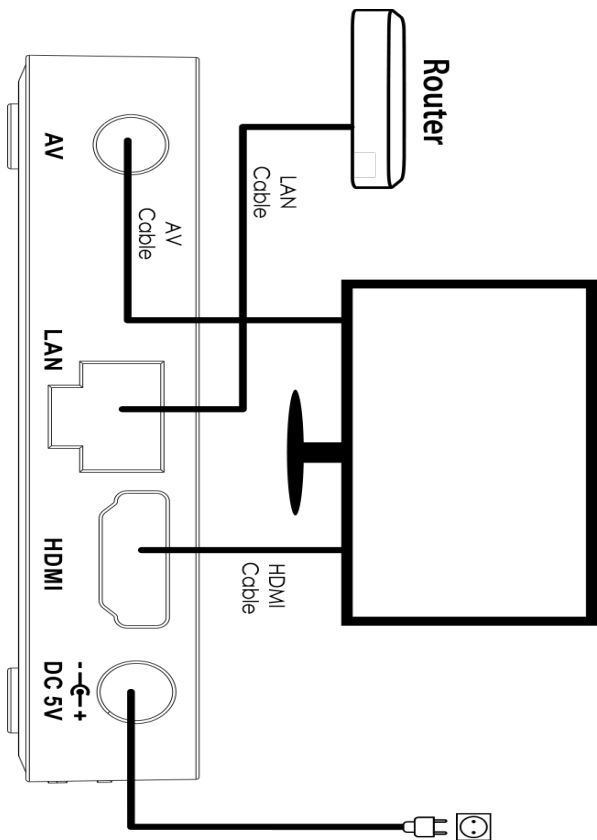
Hot surface mark

CAUTION: HOT SURFACE. DO NOT TOUCH. The top surface over the internal heat sink may become hot when operating this product continuously. Do not touch hot areas, especially around the "Hot surface mark" and the top panel.



When this logo is attached to a product, it means a financial contribution has been paid to the associated national recovery and recycling system.

Connection



AC Cabel

In the AV socket to be used a standard jack 3.5mm 4-pin. Using a different connector will cause damage the slot.



	1	2	3	4
Ferguson Fbox4X	Ground	Video	Left	Right

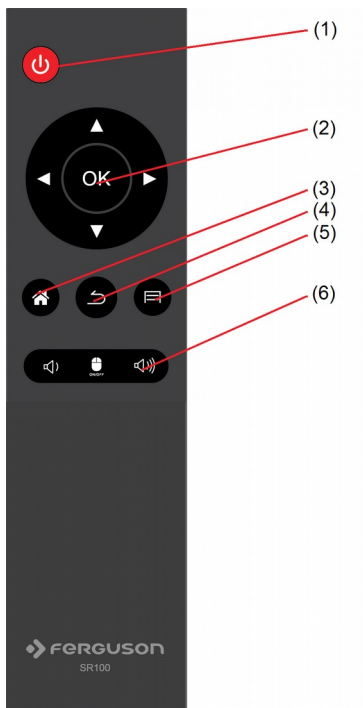


Remote control

Due to the standardization of Ferguson equipment, the majority of these devices use the same remote control unit. This means that not all keys are used by this equipment model!

SR100's Signal Indicator Instructions

- (1) Power - to switch the FBOX standby/power on
- (2) Move the highlight or cursor up/down/left/right;
OK: to carry out the selection or enter the menu.
- (3) Show main menu.
- (4) Back to previous or upper interface/menu.
- (5) Show hidden menu.
- (6) VOL+/- adjust the sound volume up or down;
Switch to mouse control state.




Create a Google Wallet account

You can pay for the items you purchase from Google Play market with a Google Wallet account. You can set one up the first time you purchase an item or ahead of time in a web browser.

Click the Google Play icon on the Home screen. When you open Google Play store for the first time, you must read and accept the terms of service to continue.

In a web browser, go to <http://wallet.google.com> to establish a Google Wallet account. OR The first time you use your Box to buy an item from Google Play market, when you're prompted to enter your billing information, you can set up a Google Wallet account.

 **Warning!** When you've used Google Wallet once to purchase an application from Android Market, the FBOX4X remembers your password, so you don't need to enter it the next time. For this reason, you should secure your FBOX4X to prevent others from using and buying without your permission.

Download and install an application

1. Find an application you want and open its details screen
2. In the application's details screen, you can read more about the application including its cost, rating and user comments, and information about the developer.
3. Click to download and install the application. (If it's a paid application, the button is labeled with the price).

Browse for applications

You can browse applications by category and sort them in different ways.

1. On the Google Play home page, Click a top-level category, such as Apps or Games. Click a subcategory to view its list of applications.
2. Scroll to view subcategories and Click the one you want to explore. Click to view top paid, top free, or the most recent applications in this subcategory. Click an application to open its details screen.

Multitasking & Closing application

Press and hold longer HOME button – to see all open application on your device. Choose any you want to switch too or press the up or down key to close them one by one.

Uninstall an application

You can uninstall applications you downloaded from Market using Market. You can also uninstall applications you downloaded from Market and from other locations in the Settings application's Manage Applications screen

1. On the Android Market home screen, press Menu and Click My apps.
2. Click the application to uninstall.
3. Click Uninstall.
4. Click OK in the confirmation dialog.
5. Click the explanation that best matches why you're uninstalling and Click OK.
6. The application is uninstalled. You can install the application again at any time, without charge if it was a paid application.

SPECIFICATION

Chipset	Amlogic S905X-B
Multi-core CPU	Quad Core ARM® Cortex™ A53 4 x CPU@2.0GHz
Multi-core GPU	Quad Core Mali-450 @600MHz
Graphics	OpenGL, ES1.1/2.0
Display Resolution	4K, 1080p/i, 720p, 576i, 480p
RAM	DDR3 1GB
Flash	eMMC 8GB
Wi-Fi	Built-in 802.11 b/g/n 2.4G/5G dual band
Ethernet	100M Ethernet RJ-45
Operating System	Android 6.0 Marshmallow
HDMI 2.0	4k@60fps, 3D over HDMI, 32 channel audio, 4 audio streams, 1536 kHz total audio,
Video Decoder	Multi-format H.264/AVC, H.265/HEVC 4K UHD up to 60fps
Video Rendering	~ up to 10 bit depth

Video File Format	*.mkv, *.mpg, *.mpeg, *.dat, *.avi, *.mov, *.iso, *.mp4,
Aspect Ratio	Auto Full screen
Video resolution	Up to 4096 × 2160
Audio Decoding	MP3, OGG, OGA, FLAC, ALAC...
File System	Support NTFS, FAT32,
DC Input Range	5V/2.0A
Power Consumption	Maximum 10W
Temperature	0-40°C
Humidity	<95%
Size in mm	80*80*22 mm
Weight	104g

*Pre-installed OS and apps takes around 3,5GB